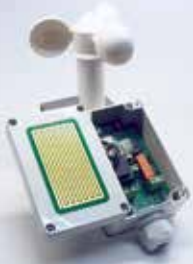


Actulux



Røgventilation

Smoke vent

Åbningssystemer

Savunpoisto

24V - 48V - 230V

RWA

Opening systems

Exutoire de fumee

Öffnungssysteme

Systèmes d'ouverture

Elektrisk

Avasjärjestelmät

Electrical

Kædemotorer

Elektrisch

Chain drives

Kettenantrieben

Opérateurs de la chaîne

Accessories

Table of Content

	PAGE
Fire Switch BVT IP40	4
Fire Switch BVSA IP65	5
Wind & Rain Sensor	6
Remote Control	7
Smoke Detector	8
Thermal Differential Detector	8
Room Thermostat	9
Comfort Switch - OPUS	10
Comfort Switch - FUGA	10
HOC - Extended features for chain drives	11
LIP5 - Current Limiter and Overload Interrupter	12
LIP6 - Current Limiter and Overload Interrupter	13
LIP7 - Current Limiter and Overload Interrupter	14
Flex1 ACDC - AC Power Supply for LIP or Chain Motor	15
GSM Modem - Module for Control Panels	16
Add-On Relay PCB for indication of window position	17
Alarm / Failure Add-on Relay PCB for SV control panels	18

Actulux offers a wide range of accessories for electrical control panels and opening systems.

Accessories include among others Control Panels, Sensors, special fittings and expansion modules allowing for additional features.

Actulux Products

Accessories



Fire Switch BVT IP40



Fire Switch BVSA IP65



Wind & Rain Sensor



Remote Control



Smoke Detector



Heat Detector



Room Detector



Comfort Switch - OPUS / FUGA



HOC



LIP5



LIP6



LIP7



Flex1



GSM Modem



Add On - Relay PCB



Alarm / Failure
Add On - Relay PCB

Fire Switch BVT for Smoke Ventilation Systems, IP40 for Actulux smoke ventilation systems



#111789



#111790

EASY INSTALLATION AND OPERATION

The fire switch is developed to be used together with the Actulux smoke ventilation system.

OPERATION INSTRUCTIONS

During fire: Break the glass and activate the red button.
During test open the lid and activate the red button.

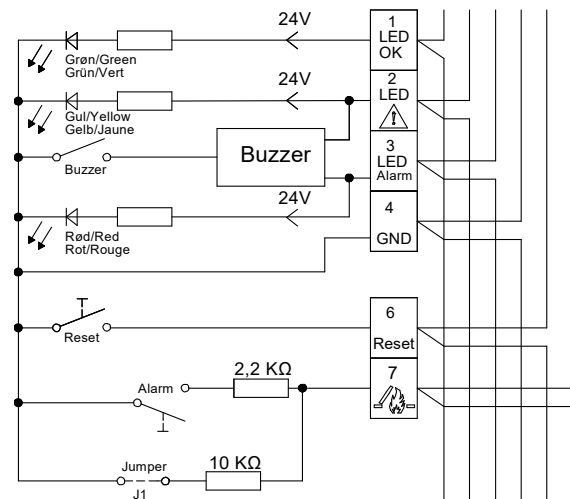
Closing and alarm reset: Open the lid - activate the black reset button, alarm is reset and skylights are closed.

Connection diagram for BVT

Terminals:

1. green LED OK, lights when closing
2. Yellow LED, lights on error
3. red LED alarm, lights on emergency opening
4. ground (-)
5. -
6. fire switch emergency closing (reset)
7. fire switch emergency opening (fire)

Jumper J1 must only be set in the last or only fire switch



FEATURES

Function: Alarm (open), reset and off, sound indicator

LED indication: "ok", "error" (yellow), "alarm activated" (red)

Size: 125 mm x 125 mm x 36 mm (W x H x D)

Colour: Grey (can be delivered in orange on request)

Protection degree: IP40

Consumption on error: 2.2 mA

Item no.: 111789 (GREY) / 111790 (ORANGE)

Fire Switch BVSA for Smoke Ventilation Systems, IP65 for Actulux smoke ventilation systems



#111626

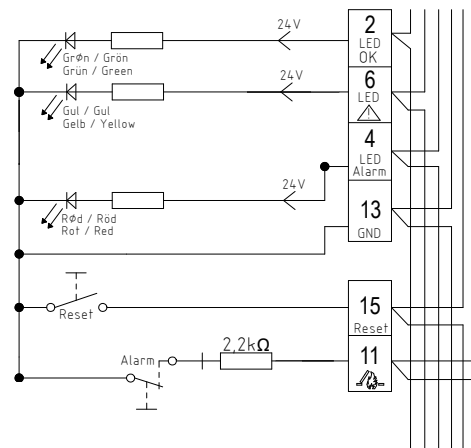
EASY INSTALLATION AND OPERATION

The fire switch is delivered in a IP65 box for e.g. outdoor installation and is developed to be used together with the Actulux smoke ventilation system.

Connection diagram for BVSA

Terminals:

- 2. green LED OK, lights when OK and while closing
- 6. yellow LED, lights on error
- 4. red LED alarm, emergency opening
- 13. ground (-)
- 15. fire switch reset
- 11. fire switch emergency opening



FEATURES

Function: Alarm (open), reset and off

LED Indicator: "ok", "error" (yellow), "alarm activated" (red)

Size: 125 mm x 125 mm x 75 mm (W x H x D)

Temperature range: (-5°C to + 40°C)

Colour: Grey

Protection degree: IP65

Item no.: 111626

Wind & Rain Sensor, type AR/AWR 24/250

automatic control of smoke, fire & comfort ventilation systems



INTELLIGENT AND ADVANCED PRODUCT

Wind and Rain Sensor #111961 consists of a wind wheel and a rain sensor surface. It is developed for automatic control of smoke and comfort ventilation system. Rain Sensor #111960 consists a rain sensor surface. Both sensors are equipped with a potential free relay with a contact rating of 250VAC / 2A or 24VDC / 2A.

In case of wind and / or rain the relay is activated. The settings for the wind trigger point is adjusted using rotary switch on the main PCB.

WIRELESS CONNECTION

It is possible to connect Actulux Weather Sensor wireless to Actulux SV/SVM Control Panel or to Actulux Flex1 ACDC using a RF-transmitter #111892 fitted into the sensor.

Range: Line of sight approx. 400 meters.

Actulux Control Panels have to be equipped with RF-receiver PCB:
 #111894 for SVM Control Panels
 #111895 for SV Control Panels

FEATURES

Power supply: 18V til 35VAC / 20V til 35VDC / 200V til 250VAC

Output contact: NO-NC 1 x potential free change-over contact

Contact rating: 250VAC / 2A or 24VDC / 2A

Dimensions: 80 x 160 x 55 mm (WxHxD / without wind wheel)

Weight: Approx. 0,7 kg

Protection class: IP65

Setting of the wind mode: Approx. 1 til 9 m / s (\pm 20%)

CE-marking: in accordance with the EMC-directive and low voltage directive

Connecting the controller has to be carried out by professionals

The sensor must be cleaned regularly, depending on soil degree, with a wet cloth with water - no abrasive

RF-Transmitter #111892 (optional)

Brackets for roof mounting #99600024

Brackets for wall mounting #99600025

Remote Control

wireless comfort control



REMOTE FOR COMFORT

Enabling wireless comfort control of Actulux Control Panels and Actulux Flex1 ACDC.

Simply fit the RF-receiver PCB into the socket.

The remote control is paired with the RF-receiver PCB from factory, but it is possible to connect more remote controls.

HOW TO PAIR

1) Press "program button" on the RF-receiver PCB and hold on for 3 sec. for confirmation the LED indicator illuminate.

2) Press the "UP-button" on the remote control and this LED-indicator will illuminate.

3) The LED indicator will be OFF after one blink = remote transmitter and receiver is now paired.

WIRELESS CONNECTION OF SENSOR

It is possible to connect Actulux Weather Sensor wireless to Actulux SV/SVM Control Panel or to Actulux Flex1 ACDC, using a RF-transmitter #111892 fitted into the weather sensor.

Range: Line of sight approx. 400 meter.



RF-Transmitter #111892 Transmitter #111899

FEATURES

Battery: 12V/33 mAH type LRV08L

Battery lifetime: app. 2000 of 1 sec. operate function

One receiver can memorize maximum 20 transmitters / remote controls

Carrier frequency: 868.915 MHz

Range: Line of sight approx. 400 meters

Product no.: #111895 for SV Control Panel

Product no.: #111894 for SVM Control Panel and Flex1 ACDC

Product no.: #111892 RF-transmitter for weather sensor

Product no.: #111899 Transmitter for comfort (Ø50x13 mm)

Product no.: #111890 Remote control w/holder

Product no.: #111891 Reciever for SVM Control Panel and Flex1 ACDC

Smoke Detector / Heat Detector

detection of fire



#111740

SMOKE DETECTOR

Smoke detector for early fire detection with visual “release” display. The smoke detector is including mounting base and installation must always be horizontally beneath the ceiling.

If automatic detectors are used, the end module must be dismantled from connection terminal 4 and 5 at WSC 3xx or connection terminal 15 and 16 at WSC 4xx and mounted in the last/only smoke detector. The end module should only be mounted here if smoke detectors are not mounted.



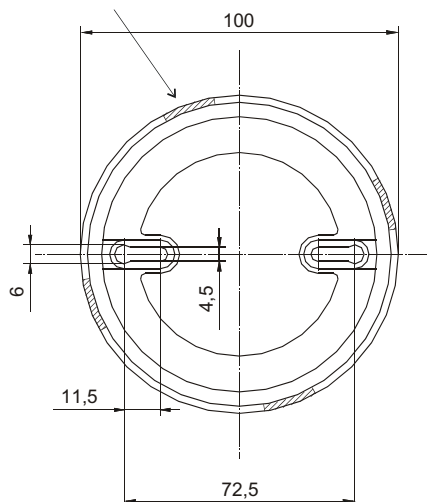
#111735

THERMAL DIFFERENTIAL DETECTOR

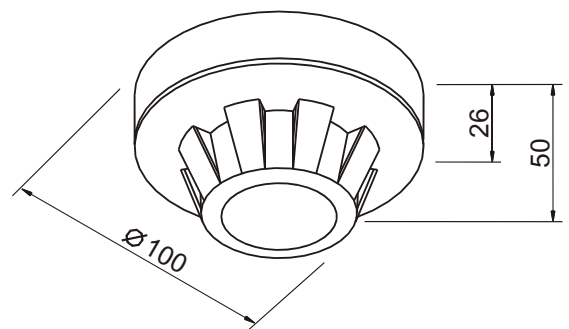
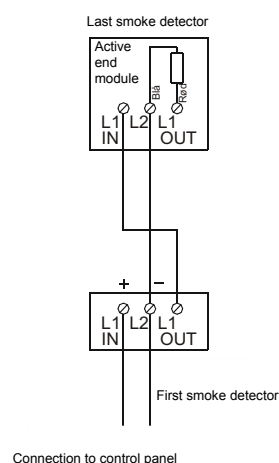
Thermal Differential Detector for early fire detection. Alarm release in case of fast temperature increase.

Max. 75° C with visual “release” display, including mounting base.

CABLE OUTLET



ELECTRICAL CONNECTION



Approval no.: G200017

FEATURES

Connection voltage: 24V DC

Current consumption (rest): 0.1 mA

Colour: White

Operating temperature: -20° to 60° C

Room Thermostat

automatic opening and closing of skylights and windows



#111778

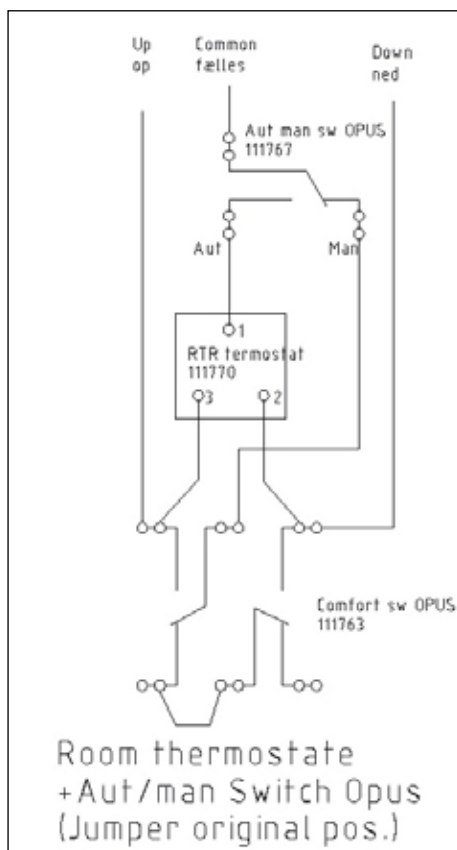
AUTOMATIC OPENING AND CLOSING OF SKYLIGHTS

The room thermostat can be used for automatic opening and closing of skylights when the temperature in the room exceeds the set temperature. There is approx. 1 degree between the open and close limit.

The room thermostat is often connected with an AUT-MAN switch so the opening can be controlled automatically or manually.

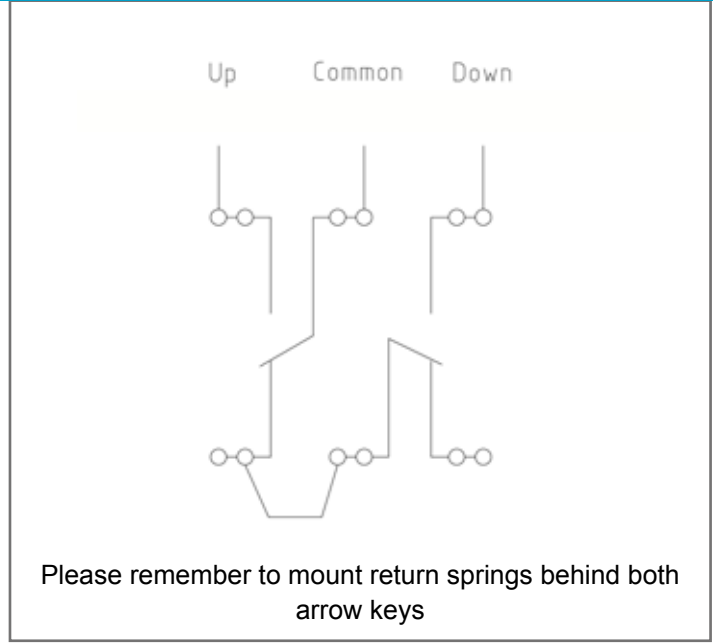
The room thermostat can also be connected with a weekly timer which makes sure that the window is closed automatically, e.g. during the night. Should be used together with a weather sensor in order to protect against opening in bad weather.

Dimensions: 75 x 75 x 25 mm
Colour: White



Comfort Switch, Type OPUS

manual control of comfort ventilation



MANUAL CONTROL OF COMFORT VENTILATION

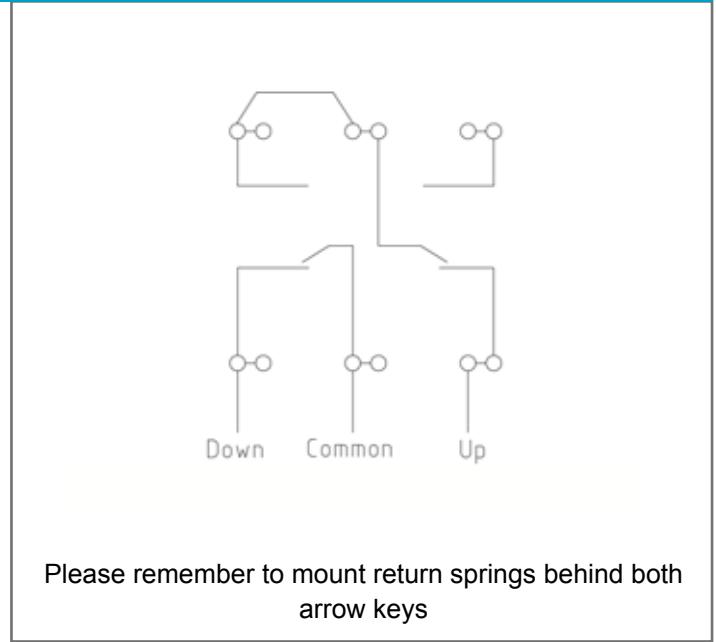
Up/down switch for manual control of comfort ventilation, e.g. in connection with 24V fire and smoke ventilation systems.

The up/down switch is delivered with housing for wall mounting.

Dimensions: 65 x 65 x 45 mm

Comfort Switch, Type FUGA

manual control of comfort ventilation



MANUAL CONTROL OF COMFORT VENTILATION

Up/down switch for manual control of comfort ventilation, e.g. in connection with 24V fire and smoke ventilation systems.

The up/down switch is delivered with housing for wall mounting.

Dimensions: 50 x 50 x 40 mm

Current Limiter and Overload Interrupter - Type LIP5

intelligent and electronic current limiter



#121326

ADVANCED ELECTRONIC CURRENT LIMITER

LIP5 is an advanced electronic product that is used as current limiter between a 24V DC or 48V DC supply and 1 actuator.

When the adjusted current limit is reached because of the load of the actuator, and the load of the actuator hereby increased further, the speed of the actuator will be automatically reduced.

This way the consumption will not exceed the adjusted level, e.g. 4 amp. for 24V and 2 amp. for 48V.

BUILT IN ACTUATOR PROTECTOR

LIP5 has a built in actuator protector. This means that the voltage will automatically be interrupted if the speed of the actuator gets relatively very low or stops completely because of a mechanic locking or end stop.

LIP5 is delivered in a discreet plastic box, which also functions as a link between the supply and the actuator.

CONNECTION & SETTINGS

SW	off		on		Function	Settings				
1		■					OFF	ON	OFF	ON
		4A			Max. current Motor output	24VDC supply	N/A	3A	4A	2,5A Rotary 100 / SA Mini
						48VDC supply	N/A	1,5A	2A	1,25A Rotary 100 / SA Mini
2			■				OFF	OFF	ON	ON
3			■		Input resistance	on = 27Kohm connected / off = 27Kohm disconnected				

FEATURES

Supply: 24V DC eller 48V DC +/- 15%, Ripple 2 Volt PP

Current limiter:	Adjustment possibilities for max. current consumption by means of a switch on the board:	
Type of opening system	24V	48V
SA Power	3,0A	1,5A
SA Power	4,0A	2,0A
SA Power Mini	2,5A	1,25A
Rotary 100	2,5A	1,25A

Input resistance: Possibility to connect a 27K ohm resistance over the input clamp connection for monitoring of the line

Size (l x w x h): 100 x 100 x 50 mm

Colour: White

Density: IP54

Terminals: 16 mm²

Approved acc. to: EN60335-1

Marking: CE

Current Limiter and Overload Interrupter - Type LIP6

intelligent and electronic current limiter



#121333

ADVANCED ELECTRONIC CURRENT LIMITER

LIP6 is an advanced electronic product, which is used as a current limiter between a 24V DC or 48V DC supply and 1 or 2 actuators.

When the adjusted current limit is reached because of the load of the actuator(s), and the load of the actuator(s) hereby increased further, the speed of the actuator(s) will be automatically reduced. This way the consumption will not exceed the adjusted level, e.g. 3 amp. for 24V or 1,5 amp. for 48V

LIP6 can work both as single operation, i.e. connected to 1 actuator or as tandem operation i.e. connected to 2 actuators in parallel operation.

LIP6 has a built in actuator protector. This means that the voltage will automatically be interrupted if the speed of the actuator gets relatively very low or stops completely because of a mechanic locking or end stop. LIP6 is delivered in a discreet plastic box, which also functions as a link between the supply and the actuator(s).

CONNECTION & SETTINGS

SW	off	on	Function	Settings				
1	<input type="checkbox"/>	<input type="checkbox"/>			OFF	ON	OFF	ON
		4A	Max. current Motor output	24VDC supply	N/A	3A	4A	2,5A Rotary 100 / SA Mini
				48VDC supply	N/A	1,5A	2A	2,5A Rotary 100 / SA Mini
2	<input type="checkbox"/>	<input type="checkbox"/>			OFF	OFF	ON	ON
3	<input type="checkbox"/>	<input type="checkbox"/>	No function					
4	<input type="checkbox"/>	<input type="checkbox"/>	Operation mode	on = 2 x Single / off = Tandem				
5	<input type="checkbox"/>	<input type="checkbox"/>	Input resistance	on = 27Kohm connected / off = 27Kohm disconnected				
6	<input type="checkbox"/>	<input type="checkbox"/>	Delay between M1 and M2	on = delay on / off = delay off				

FEATURES

Supply: 24VDC or 48VDC +/- 15%

Output: 2 outputs which can function independently (individually in single operation) or in joint operation (tandem)

Current limiter: Adjustment possibilities for max. current consumption by means of a switch on the board:

Type of opening system:	24V	48V	
SA Power	3,0A	1,5A	for each actuator output
SA Power	4,0A	2,0A	for each actuator output
2,5A Rotary 100 / SA Mini	2,5A	1,25A	for each actuator output

Tandem operation: If one actuator fails, the other one stops shortly after (maximum 3 seconds)

Input resistance: Possibility to connect a 27K ohm resistance over the input clamp connection for monitoring of the line

Dimensions (l x w x h): 100 x 100 x 50 mm

Colour: White RAL 9010 / Density: IP54

Approved according to: EN60335-1 / Marking: CE

Current Limiter and Overload Unit - Type LIP7

intelligent and electronic current limiter



LIP7 BA (basis) #121305



LIP7 TA (tandem) #121306



LIP7 OC (open / close) #121308

ADVANCED ELECTRONIC CURRENT LIMITER

LIP7 is an advanced electronic product that is used as current limiter and overload unit between a 24 -36 - 48 VDC supply and for 1 actuator (motor).

When setting for the current limiter is reached because of the actuator load, and the load on the actuator is further increased, then the actuator speed is automatically reduced, so that the current consumption does not exceed the set level.

A heat resistant silicone cable is mounted as supply line.

LIP7 is available in 3 versions:

LIP7 Basis, LIP7 Tandem and LIP7 Open / Close.

LIP7 BASIS #121305

1 channel actuator protector - replaces LIP5.

LIP7 TANDEM #121306

1 channel but now with the opportunity to operate in Tandem / Synchro mode with another LIP7 if 2 pcs. of opening systems are mounted in the same window or skylight to prevent damage to the window or skylight. The system stops if power to one motor disappears.

There is also an opportunity to operate in Synchro mode where both systems are running exactly with the same speed without delay.

Synchro mode requires that the electrical actuators in the opening system is mounted with "reed switches" for speed / position indication.

LIP7 OPEN/CLOSE #121308

Same features as the LIP Tandem but also with clamps for Open / Close indication of the window or skylight.

Open / Close indication and Synchro mode requires that the electrical actuators in the opening system is mounted with "reed switches" for speed / position indication.

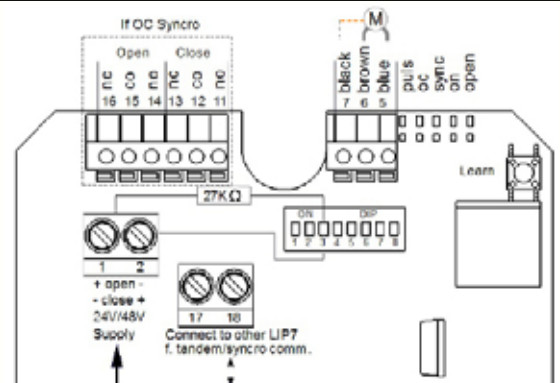
CONNECTION AND SETTINGS

DIP switch	off	on	Function	Settings*				
1	■				OFF	ON	ON	OFF
4A / 24VDC			Max. average current. (Please note this is only an example - may vary in diff. types of Opening Systems)	24V	2A	3A	2,5A	4A
				36V	1.5A	2.25A	1.9A	3A
				48V	1A	1.5A	1,25A	2A
2		■			OFF	OFF	ON	ON
3		■	OFF = No 27kΩ for line detection	ON = 27kΩ for 2 wire line detection (terminal 1 and 2)				
↓ Only available in LIP7 TA and LIP7 OC ↓								
4	■		OFF = Stand Alone mode (only 1 system / LIP)	ON = Communication mode (set ON in both systems / LIPs)				
5	■		OFF = Slave	ON = Master (set ON only in one system / LIP)				
6	■		OFF = Sync mode = 3 wire actuator (motor)	ON = Tandem mode = 2 wire actuator (motor)				
7	■		OFF = No delay between Master and Slave	ON = 7 seconds delay between Master and Slave				
8		Not in use						

(*) Please note that the above power settings are standard - can also be customized to specific Actulux actuator types

FEATURES

Power supply: 24 - 36 - 48 VDC +/- 15%, Max. Ripple: 2 Volt PP
Input resistance: Using switch on the PCB a 27kΩ resistor can be engaged over the input terminals of the supply to the line monitoring
Max. power in the position relay: 30 VDC / 2A
Size (l x w x h): 100 x 100 x 50 mm
Material: White plastic box
Compatible with previous LIP editions
Density: IP54
Silicone cable length: Standard 85 cm
Meets requirements: EN12101-2 / EN60335-1 / EN50130-4 Marking: CE
Product number: 121305 (Basis) / 121306 (Tandem) / 121308 (OC Open / Close)



Flex1 ACDC

AC Power Supply for LIP or Chain Motor



*Flex1 ACDC as supply for motors with own overload protector. (Chain & Rack Drives)
Box size (LxWxH): 180 x 110 x 63 mm*



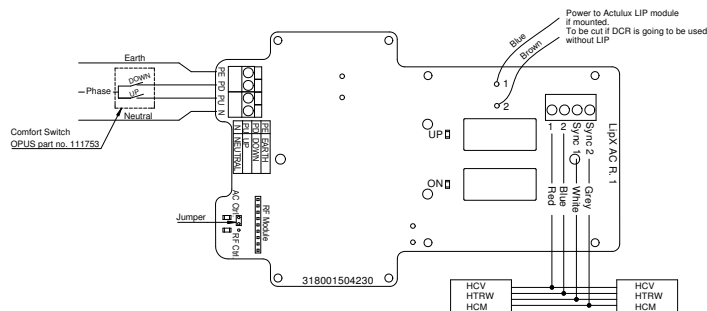
*Flex1 ACDC as supply for build in overload protector ex. LIP7 OC #121308
Box size (LxWxH): 180 x 110 x 63 mm*

POWER SUPPLY FOR LIP OR CHAIN MOTOR

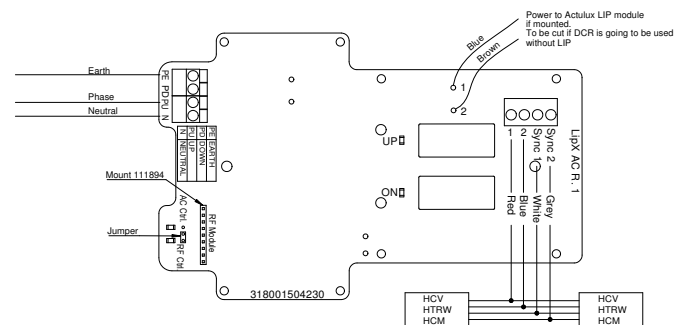
The Flex1 ACDC consists of an electrical high performance 230VAC / 24VDC Switch Mode Power Supply. It is possible to mount LIP5, LIP6 or LIP7 from the traditional Actulux Opening System enabling them to be supplied by 230V.

As additional it can also be used as a 230VAC supply for ex. 24VDC Chain Drives HCM / HCV or Spindle Drives. In both options it is possible to configure the Flex1 ACDC with a RF-receiver PCB #111894 to make remote control possible for comfort ventilation use and for the Actulux Weather Sensors.

Flex1 ACDC - AC controlled



Flex1 ACDC - RF controlled



FEATURES

Power supply: 230VAC - max. 1.5A
Output: 24VDC
Can be used with all kinds of 24VDC motors with own overload protection
Max. operation time 120 sec. Duty cycle 10% 2 min. / 18 min.
IP class: IP66
Operating temperature: -15°C - +40°C
Product no.: #121370 3A / 65W
Product no.: #121380 4A / 80W
Product no.: #121390 6A / 150W
Product no.: #121360 8A / 200W
Option: RF control by use of #111894

Actulux GSM Modem

Module for Control Panels



MODULE FOR CONTROL PANELS

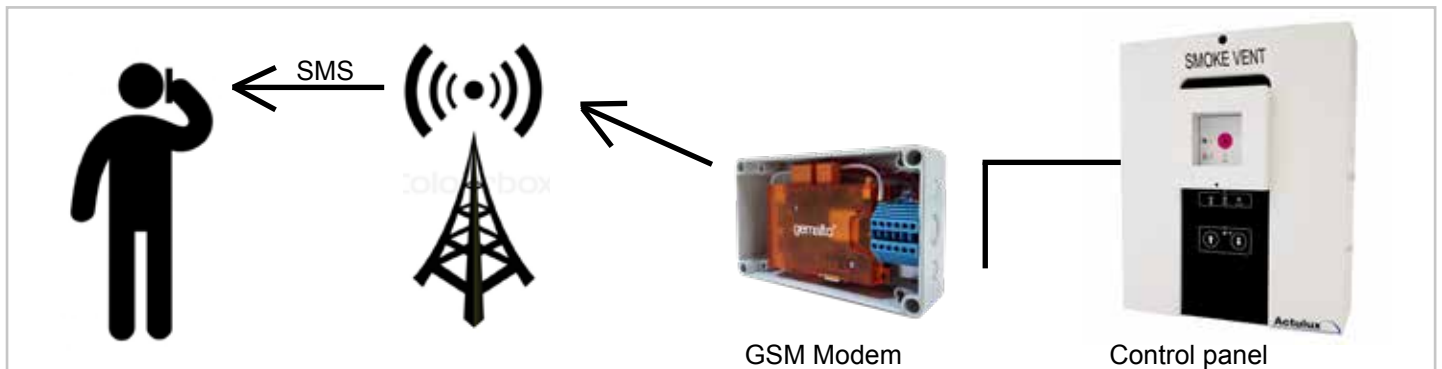
Actulux GSM Modem is an advanced module for new and existing installations.

This GSM Modem texts a pre-defined mobile no. if one of the inputs is activated.

The unit is intended for information about e.g. an open roof light and other relevant information. The unit is **not** to be considered as an alerting system in case of fire, but solely as an information unit.

The installation is simple, as the unit only needs to be connected to the fail- and alarm output in the control panel as specified in the documentation.

The software in the unit can be set to any mobile no. to receive an SMS. All you need is a computer, a USB cable and software in order to take advantage of this advanced unit.



GSM Modem

Control panel

FEATURES

Power: 12V to 30VDC (300mA at 24V)

Dimensions (HxWxD): 180x110x60 mm

Weight: 0.6 kg

Protection class: IP65

Operating temperature: -10° to +45° C

CE-marking: in accordance with the EMC-directive and low voltage directive

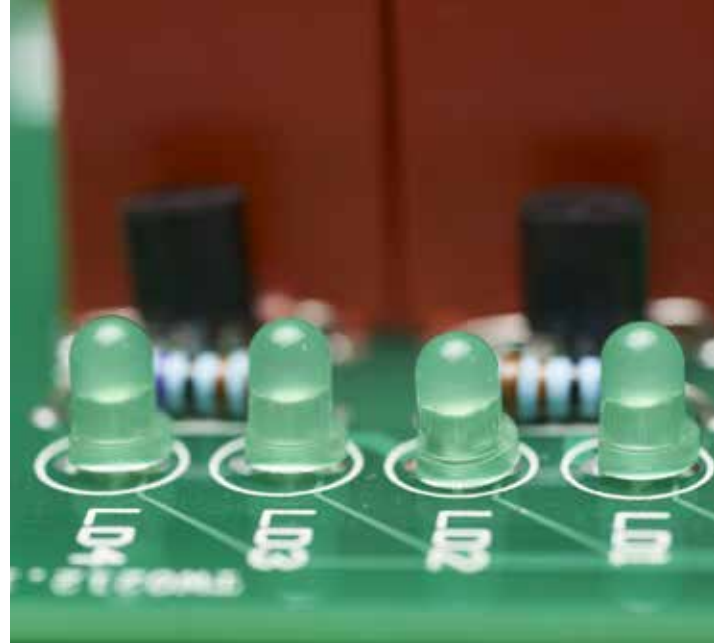
Connection of unit has to be carried out by professionals

Product no.: #111950

Optional: Actulux battery box 12Ah - for 72 hours backup (Product no. #216000)

“Add on” Relay PCB

heat control, indication on BMS controls, intruder alarms

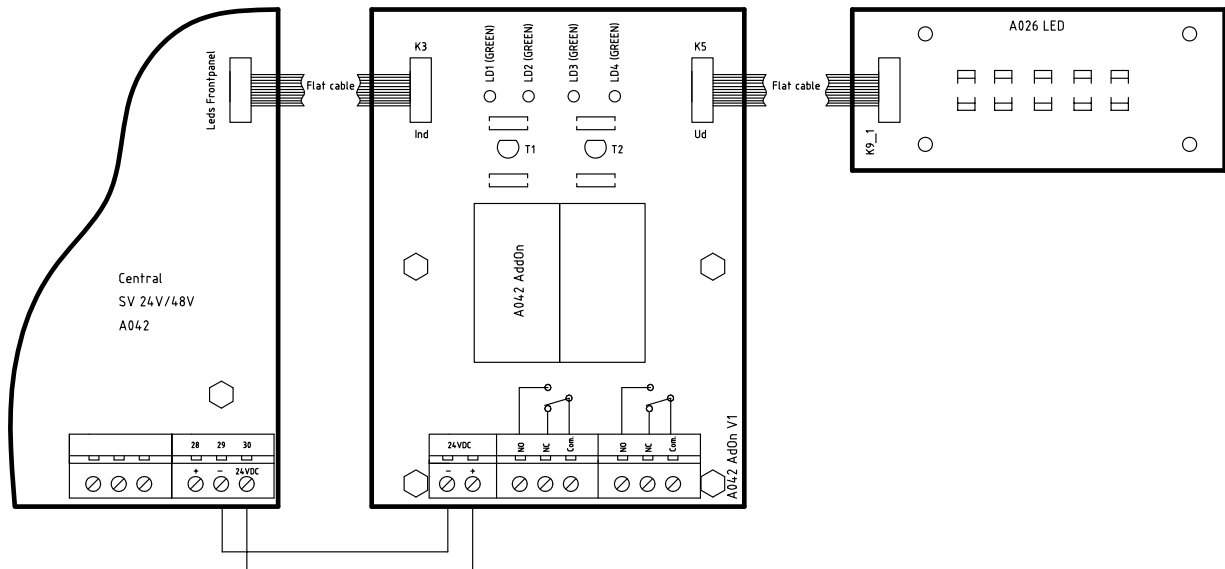


PCB FOR INDICATION OF WINDOW POSITION

This “Add on” relay PCB can be used where indication about opened windows on the comfort or alarm function is needed.

The “Add on” relay PCB is going to be connected through a flat cable to the SV control unit and the indication LED display in the front.

Connection



FEATURES

Supply: 24V DC

Contact function: 2 pcs. NO/NC contacts

Load on contacts: 230V / 2A

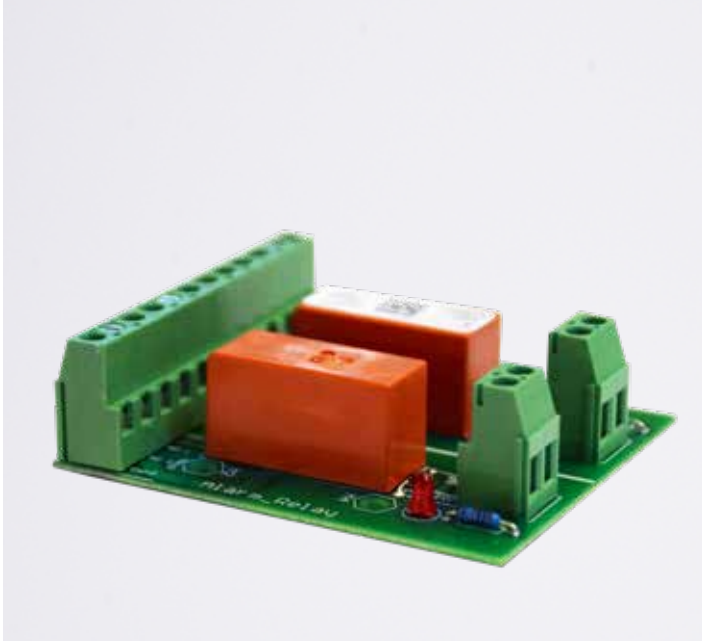
LED1 / LED2: Indication about open

Can also be used for indication of active weather sensor (requires special software in control panel)

Part no.: #111690 (SV Control Panels)

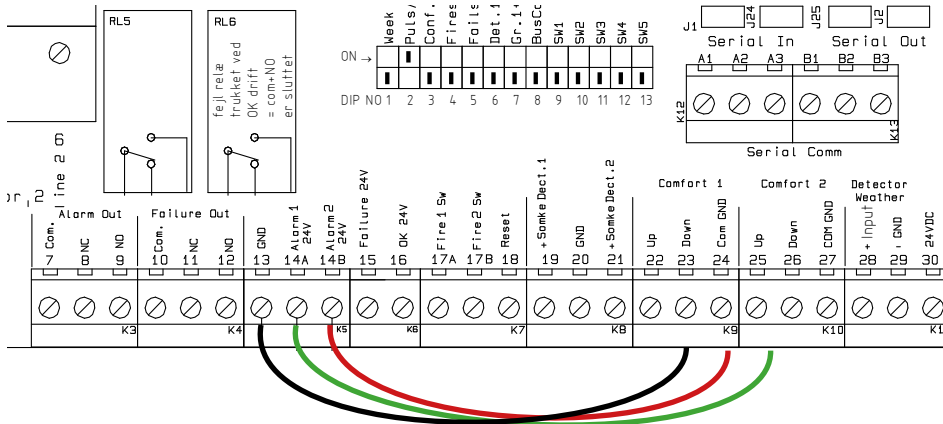
Alarm / Failure Add-on Relay PCB

extra potential free NO / NC contact for SV control panels

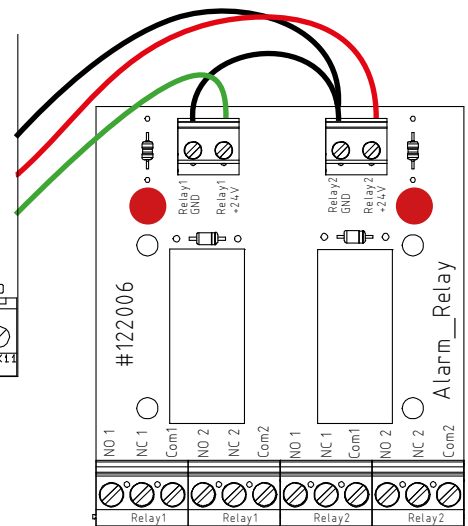


This "Add on" relay PCB can be used when more NO / NC contacts are needed.
Each relay has 2 potential free NO / NC contacts.

SV Control panel



Add-on Relay



FEATURES

Supply: 24V DC

Contact function: 2 pcs. NO/NC contacts

Load on contacts: 230V / 2A

LED1 / LED2: Indication of relays ON / OFF

Part no.: 111930



Actulux

Actulux A/S | Haandvaerkevej 2 | DK 9560 Hadsund | Tel.: +45 98 57 40 90 | info@actulux.com | www.actulux.com